



FIVE WAY MONOSTABLE PILOT OPERATED SINGLE SOLENOID VALVE

D03/AP.d/LT

DESCRIPTION

Mechanical Characteristics:

Five Way Single Solenoid Valve. Pilot Operated. Two Positions. Monostable function.

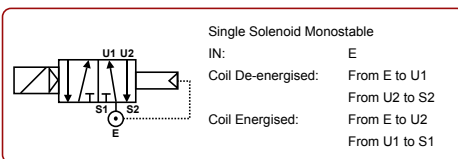
Suitable for gaseous media.

Model for liquid media available upon request. Body materials are Brass, Nickel Plated Brass or 316 Stainless Steel.

Stainless Steel internal moving parts.

Solenoid can be rotated 360°.

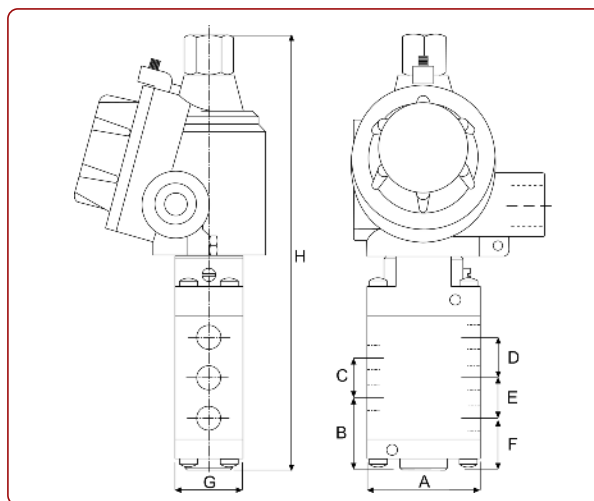
Valve will operate in any position.



ELECTRICAL CHARACTERISTICS

Light alloy epoxy painted explosion proof solenoid housing. Electrical and mechanical parts certified to ATEX 94/9/CE directive. Suitable to control the flow of flammable and/or inert gases or liquids. Internal and external anti-twist ground connecting screws. Inside terminal board suitable for cable up to 2.5mm.

COIL SPECIFICATION:	COIL SERIES: B6E
Cable Gland Entry**:	1/2" BSP or 1/2" NPT or M20*1.5mm
Coil Housing Protection Class:	IP67
Ex Protection Class:	II 2 GD (EEx-d IIB, IIC), 11 1/2 GD (EEx-d IIB, IIC)
Temperature Class:	T6, T5 and T4 (t.amb -60 to +60°C)
Coil Insulation Class:	F (155°C) - H (180°C) upon request
Winding Wire Class:	H (180°C)
Duty:	Continuous (S.I.) 100% ED
Power Consumption:	AC: 11VA (28VA Inrush). DC 11W
Voltage Tolerance:	± 10% (standard). Other voltage tolerances upon request.
Insulation:	> 1000 Mohm
Dielectric Strength:	> 2000 V/1"
Standard Voltages:	12, 24, 48, 110, 115, 125, 220, 240 VAC DC or AC (50/60 Hz)
	Other voltages available upon request



SPECIFICATIONS & DIMENSIONS

MODEL	Body Rating					Orifice mm	Min. /Max. Operating Differential Pressures.			KV Flow Factor L/min.	Weight Kg	Dimensions mm								
	A	B	C	D	E		Min. BAR	Maximum BAR				A	B	C	D	E	F	G	H	
								AC	DC											
D03		70				10	7.0	3	15	15	12.5	1.2	50	32	18	18	18	23	30	193

ORDER CODES

A	Body	B	Port	C	Seals (fluid temp. min / max)	D		E	Options		
T	Brass	C	1/4" BSP	D	1/4" NPT	7	HNBR (-10°C to +90°C)	C/LT	II 1/2 GD EEx-d IIC T6 (-60 to +60°C)	X	Manual Override
N	Nickel Plated Brass										
I	316 Stainless Steel										