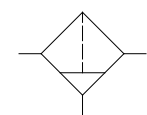


www.sitecna.eu

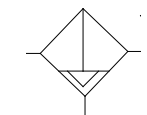
Aluminum Alloy 1/4" - 3/8" - 1/2" NPT Filter- F serie

Filtro da 1/4" - 3/8" - 1/2" NPT in lega di alluminio - serie F

- Suitable to automation equipment, to onshore, offshore, pharmaceutical, medical and food applications
- Full material traceability
- High flow capacity
- ATEX 2014/34/UE - II2GD c IICT6 X^{Ex} / IP66
- approved
- Adatto per automazione in applicazioni marine, petrolchimiche, farmaceutiche, medicali e alimentari.
- Completa rintracciabilità dei materiali
- Elevate portate
- ATEX 2014/34/UE - II2GD c IICT6 X^{Ex} / IP66
- Approvato ed



Manual Drain



Automatic Drain

Media / Fluido	Compressed air, inert gases, sweet and sour gases
Port thread / Connessioni	1/4"-3/8"-1/2" NPT
Gauge Connection Connessione manometro	1/8" NPT (1/4" NPT option)
Filtering element Elemento filtrante	Coalescing or 5, 25, 40 micron in st. st. 316
Max inlet pressure Pressione massima di ingresso	25bar
Drain valve / Scarico condensa	manual or automatic
Flow Rate (at 6 bar Inlet pressure, delta P=0.5bar) / Portata	1/4" - 1000dm³/min Cv=1,4 1/2" - 4815dm³/min Cv=6,6
Working Temperature Temperatura di esercizio	-20°C up to 80°C (NBR); -25°C up to 90°C (FKM); -40°C up to 80°C (EPDM) *

Air supply must be dry enough to avoid ice formation at temperatures below +2°C (+35°F).

*Special version available for -55°C up to 90°C

It provides excellent filtration for a wide range of applications. Rugged and corrosion-resistant – made of die cast copper free aluminium alloy and AISI304/316 stainless steel. Compact small package size / Permette una filtrazione accurata per una vasta gamma di applicazioni. Robusto e resistente alla corrosione – Costruito in lega di alluminio esente rame tropicalizzata e SS304/316. Dimensioni di ingombro ridotte

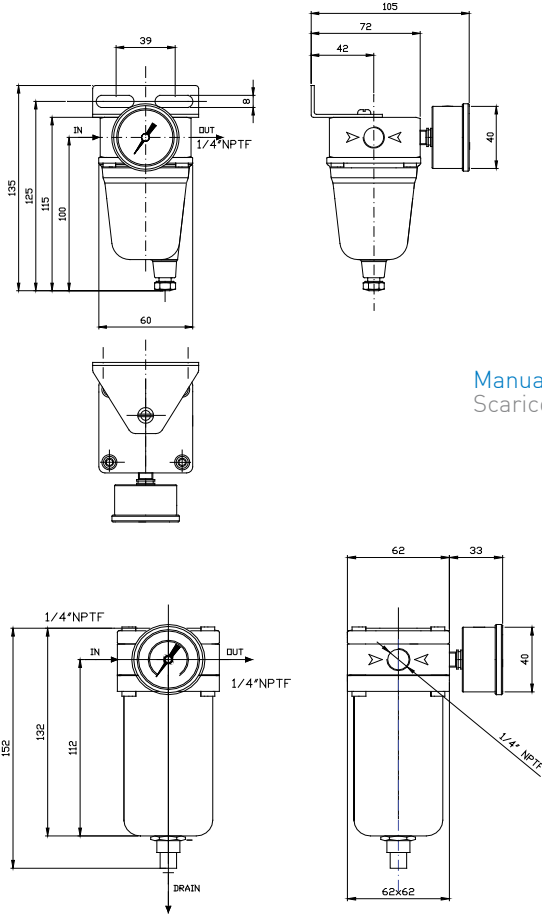
BUILDING MATERIALS	Materiali costruttivi
Body, bonnet, bowl in tropicalized aluminum alloy, internals, in stainless steel	Corpo, coperchio, tazza in lega di alluminio tropicalizzata, particolari interni in acciaio inossidabile
Bracket, lock and panel nuts, fixing screws in stainless steel or galvanized steel	Staffa, dadi di bloccaggio e pannello, viti di fissaggio in acciaio inossidabile od acciaio galvanizzato
Seals in elastomer	Tenute in elastomero
5, 25&40micron filtering element in AISI316 stainless steel	Elemento filtrante da 5, 25 e 40 micron in acciaio inossidabile AISI316
Coalescing filtering element in bonded micro-fibre	Elemento filtrante a coalescenza in microfibra

BT-FAL/C16A

Overall dimension

Dimensioni di ingombro

F04 serie

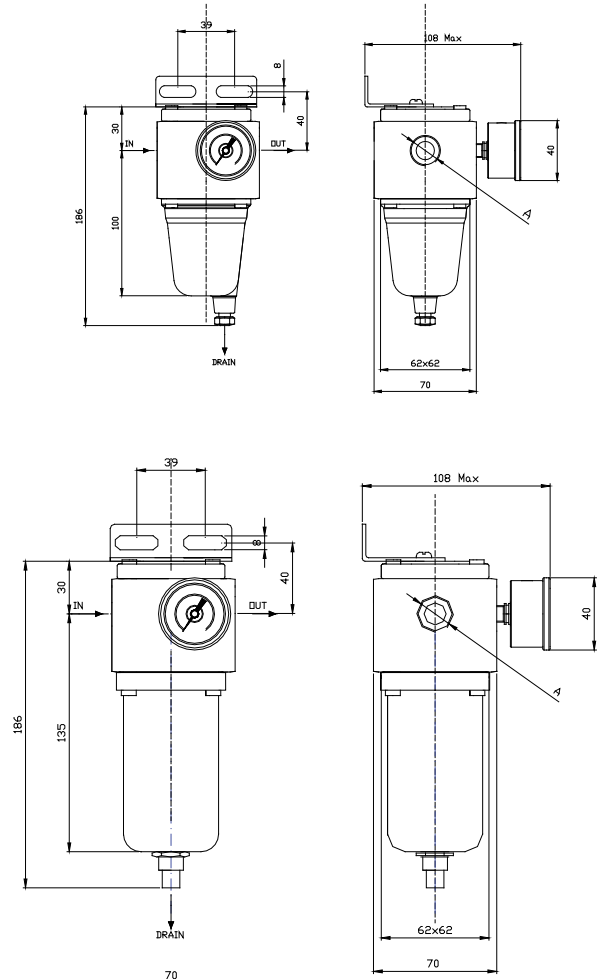


Manual drain
Scarico manuale

Automatic drain
Scarico automatico

F04 A = 1/4"

F06, F08 serie



F06 A = 3/8"

F08 A = 1/2"

Max inlet pressure for automatic drain 16bar

Massima pressione di ingresso con scarico automatico 16bar

Accessories and repair kit

Accessori e ricambi

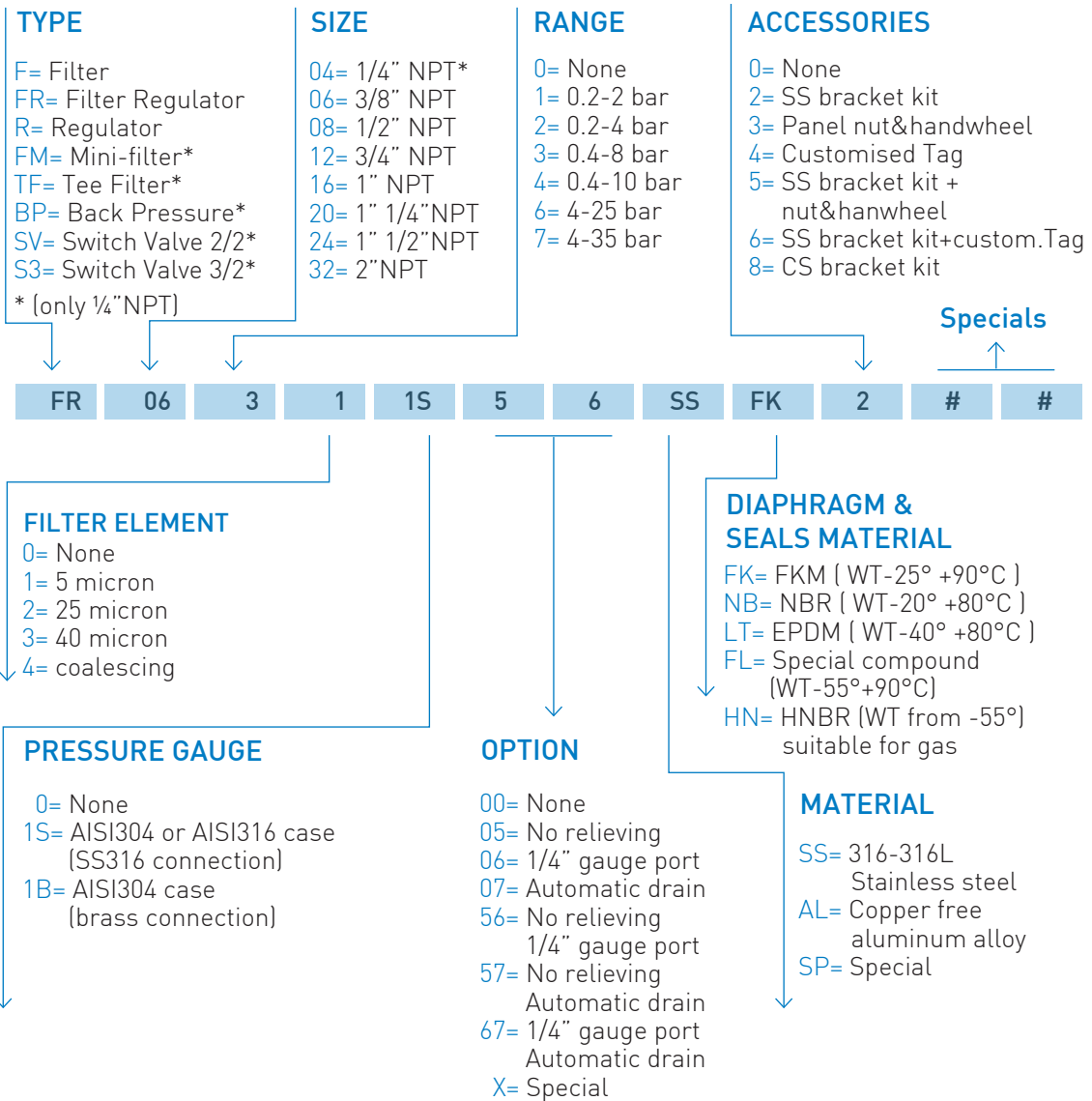
Maintenance kit / Kit manutenzione	Items F -04-K-XAL-** [1/4"] F -08-K-XSAL-** [1/2"]
Pressure gauge DN40mm, all AL Bar+psi+kpa range / Manometro DN40mm, cassa inox, scala Bar+psi+kpa	0-2bar MBSNP4S2PN3S 0-4bar MBSNP4S2PN05 0-10bar MBSNP4S2PN07
Bracket and lock nut / Staffa e Dado	SQ-FR04/S

** Refers to seals type:

FK→FKM NB→NBR LT→EPDM FL→Low temperature compound HN→HNBR

Ordering information

Come ordinare



CODE EXAMPLES

FR 06 3 3 1S 0 7 SS FK 2

3/8"NPT, SS316, 0 to 8 bar range, filter regulator, with 40 micron filtering element, relieving, SS pressure gauge, automatic drain, ss bracket kit and FKM diaphragm & seals
 Filtro regolatore da 3/8"NPT in AISI316, range regolato 0/8 bar, elemento filtrante da 40 micron, manometro tutto inox, relieving, scarico condensa automatico, staffa inox, diaframma e tenute in FKM

FR 06 3 1 00 0 0 SS FK 0

3/8"NPT, SS316, 0 to 8 bar range, filter regulator, with 5 micron filtering element, relieving and FKM diaphragm & seals
 Filtro regolatore da 3/8"NPT in AISI316, range regolato 0/8 bar, elemento filtrante da 5 micron, relieving, diaframma e tenute in FKM

