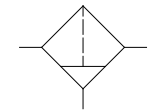


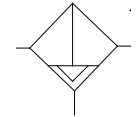
AISI316L 1 1/2"-2"NPT Filter – F serie

Filtro da 1 1/2"- 2"NPT in AISI316L – serie F

- Suitable for automation equipment to onshore, offshore, pharmaceutical, medical and food applications
- Full material traceability
- Excellent stability and repeatability
- Accurate adjustment and high flow capacity
- ATEX 2014/34/UE - II2GD c IICT6 X_{Ex} / IP66
- **ATEX** & **Ex** approved
- Adatto per automazione in applicazioni marine, petrolchimiche, farmaceutiche, medicali e alimentari
- Completa rintracciabilità dei materiali
- Eccellente stabilità e ripetibilità
- Precise regolazioni ed elevate portate
- ATEX 2014/34/UE - II2GD c IICT6 X_{Ex} / IP66
- Approvato **ATEX** ed **Ex**



Manual Drain



Automatic Drain

| | |
|---|--|
| Media / Fluido | Compressed air, inert gases, sweet and sour gases |
| Port thread / Conessioni | 1 1/2"-2" NPT |
| Gauge Connection Connessione manometro | 1/4"NPT (1/8"NPT option) |
| Filtering element Elemento filtrante | stainless steel 25micron standard |
| Max inlet pressure / Pressione massima di ingresso | 20bar |
| Drain valve/ Scarico condensa | Manual or automatic |
| Flow Rate (at 6 bar Inlet pressure, delta P=0.35bar) / Portata | 1 1/2" - 21000dm ³ /min Cv=34,5 2" - 29000dm ³ /min Cv=46,5 |
| Working temperature / Temperatura di esercizio | -20°C up to 80°C (NBR); -25°C up to 90°C (FKM); -40°C up to 80°C (EPDM) * |

Air supply must be dry enough to avoid ice formation at temperatures below +2°C (+35°F).

***NB: for gas usage - max inlet pressure: 15bar (in accordance with 2014/68/EU)**

****Special version available for -55°C up to 90°C**

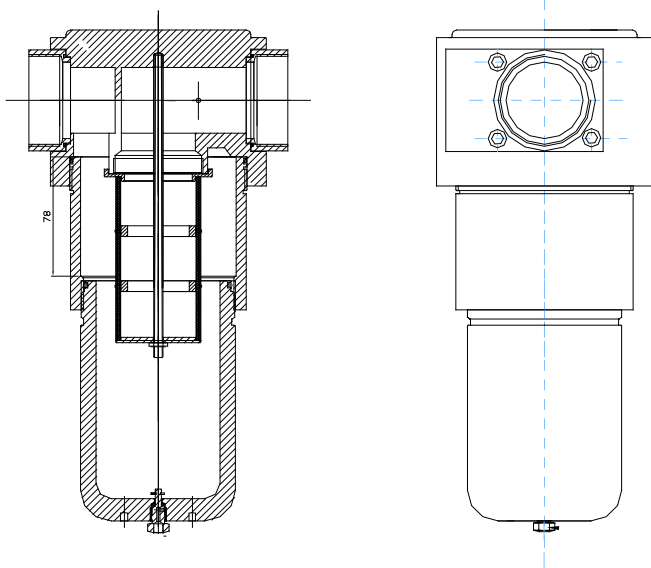
It provides excellent filtering for a wide range of applications. Rugged and corrosion-resistant – made of 316L stainless steel / Permette una filtrazione accurata per una vasta gamma di applicazioni. Robusto e resistente alla corrosione – Costruito in acciaio inossidabile 316L

| BUILDING MATERIALS | Materiali costruttivi |
|--|--|
| Body, bonnet, bowl and internals in stainless steel AISI316 L top NACE MR 0175 | Corpo, coperchio, tazza ed interni in acciaio inossidabile AISI316L conforme ai requisiti dello standard NACE MR0175 |
| Lock and panel nuts, fixing screws AISI316 stainless steel or galvanized steel | Dadi di bloccaggio e pannello, viti di fissaggio acciaio inossidabile od acciaio galvanizzato |
| Diaphragm and valve assembly in elastomer and AISI316 stainless steel | Assieme diaframma ed assieme valvola in elastomero ed acciaio inossidabile AISI316 |
| Filtering element in AISI316 stainless steel | Elemento filtrante in acciaio inossidabile AISI316 |
| Seals in elastomer | Guarnizioni in elastomero |

Overall dimension

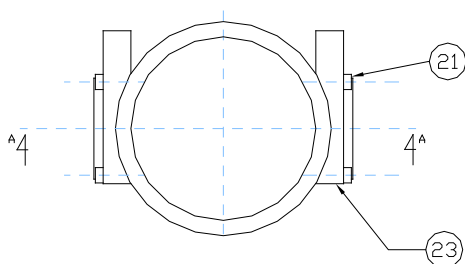
Dimensioni di ingombro

F24, F32 serie



F24 A = 1 1/2"

F32 A = 2"



Max inlet pressure for automatic drain 16bar

Massima pressione di ingresso con scarico automatico 16bar

Accessories and repair kit

Accessori e ricambi

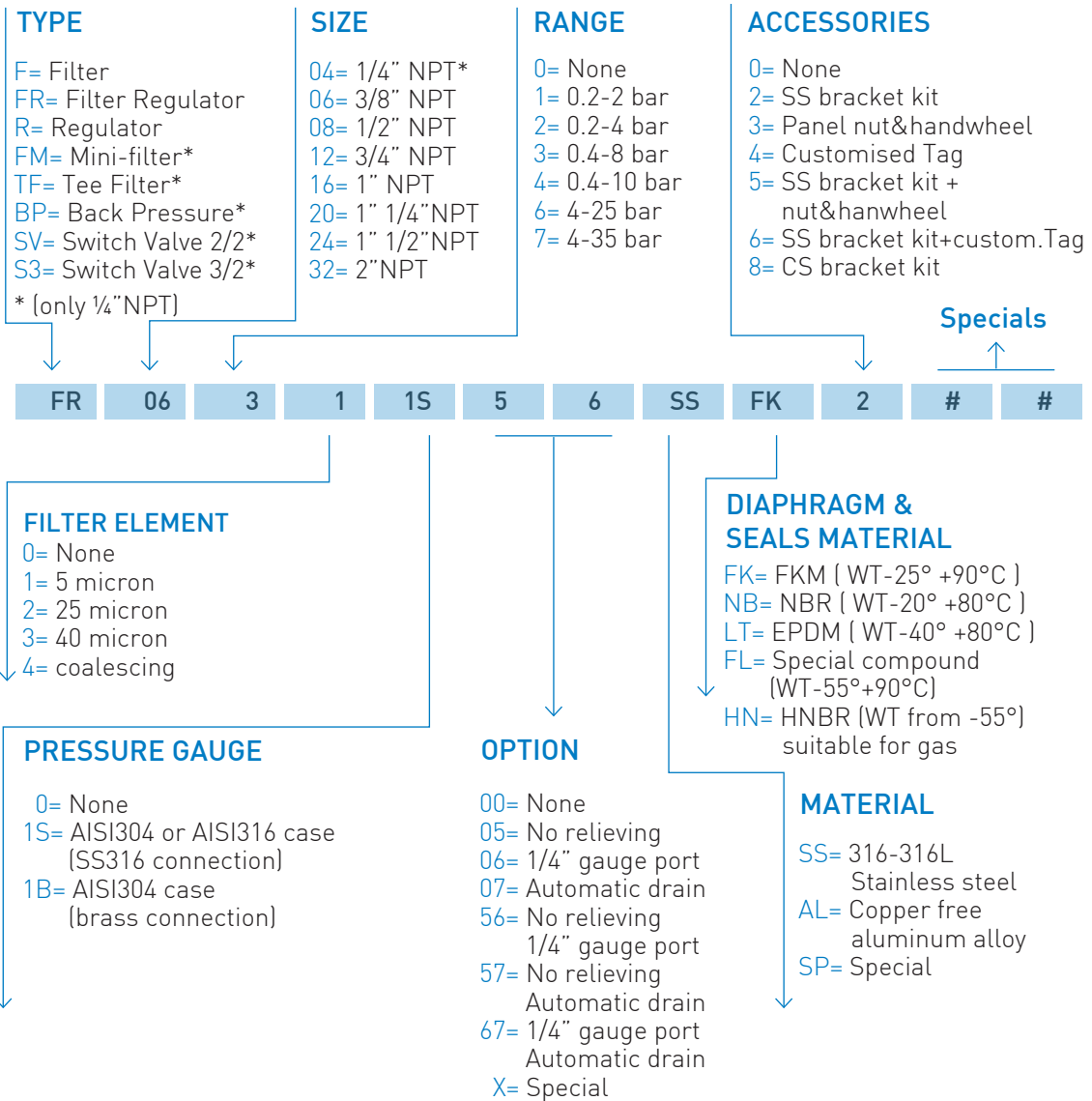
| Maintenance kit / Kit manutenzione | Items F-32-K-XSS-** [1 1/2"; 2"] |
|---|---|
| Pressure gauge DN40mm, SS case, Bar+psi+kpa range / Manometro DN40mm, tutto inox, scala Bar+psi+kpa | 0-2,5 bar MBS6P4S2PN04 0-4bar MBS6P4S2PN05 0-10bar MBS6P4S2PN07 |

** Refers to seals type:

FK→FKM NB→NBR LT→EPDM FL→Low temperature compound HN→HNBR

Ordering information

Come ordinare



CODE EXAMPLES

FR 06 3 3 1S 0 7 SS FK 2

3/8"NPT, SS316, 0 to 8 bar range, filter regulator, with 40 micron filtering element, relieving, SS pressure gauge, automatic drain, ss bracket kit and FKM diaphragm & seals
 Filtro regolatore da 3/8"NPT in AISI316, range regolato 0/8 bar, elemento filtrante da 40 micron, manometro tutto inox, relieving, scarico condensa automatico, staffa inox, diaframma e tenute in FKM

FR 06 3 1 00 0 0 SS FK 0

3/8"NPT, SS316, 0 to 8 bar range, filter regulator, with 5 micron filtering element, relieving and FKM diaphragm & seals
 Filtro regolatore da 3/8"NPT in AISI316, range regolato 0/8 bar, elemento filtrante da 5 micron, relieving, diaframma e tenute in FKM

