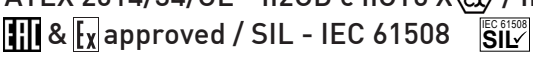




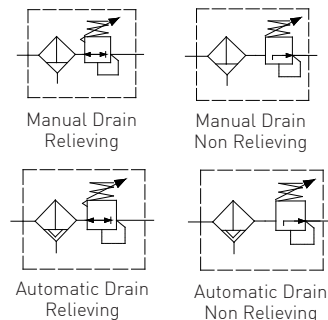


## Aluminum alloy 1/4" NPT Filter Regulator – FR serie

Filtro Regolatore da 1/4" NPT in lega di alluminio – serie FR

- Suitable for automation equipment to onshore, offshore, pharmaceutical, medical and food applications
- Full material traceability
- Excellent stability and repeatability
- Accurate adjustment and high flow capacity
- ATEX 2014/34/UE - II2GD c IICT6 X<sub>Ex</sub> / IP66
-  approved / SIL - IEC 61508 
- Adatto per automazione in applicazioni marine, petrolchimiche, farmaceutiche, medicali e alimentari
- Completa rintracciabilità dei materiali
- Eccellente stabilità e ripetibilità
- Precise regolazioni ed elevate portate
- ATEX 2014/34/UE - 2GD c IICT6 X<sub>Ex</sub> / IP66
- Approvato  ed  / SIL - IEC 61508 



<b>Media / Fluido</b>	<b>Compressed air, inert gases, sweet and sour gases</b>
<b>Port thread / Conessioni</b>	<b>1/4" NPT</b>
<b>Gauge Connection</b> Connessione manometro	<b>1/8" NPT (1/4" NPT option)</b>
<b>Max inlet pressure</b> Pressione massima di ingresso	<b>25bar</b>
<b>Filtering element</b> Elemento filtrante	<b>5 micron in ss316 std (25 &amp; 40 micron in st. st. 316 available)</b>
<b>Drain valve / Scarico condensa</b>	<b>Manual or automatic</b>
<b>Flow Rate (@10 bar inlet, 6bar regulated, delta P=1bar) / Portata</b>	<b>940dm<sup>3</sup>/min Cv=0.9</b>
<b>Working Temperature</b> Temperatura di esercizio	<b>-20°C up to 80°C (NBR); -25°C up to 90°C (FKM); -40°C up to 80°C (EPDM) *</b>
<b>Regulated pressure</b> Pressioni regolate	<b>0/2, 0/4, 0/8, 0/10bar</b>

Air supply must be dry enough to avoid ice formation at temperatures below +2°C (+35°F).

**\*Special version available for -55°C up to 90°C**

It provides excellent regulation and filtering for a wide range of applications. Rugged and corrosion-resistant – made of aluminum alloy and SS AISI304/316. Compact small package size / Permette un'accurata regolazione e filtraggio per una vasta gamma di applicazioni. Robusto e resistente alla corrosione – Costruito lega di alluminio ed AISI316 - Dimensioni di ingombro ridotte

BUILDING MATERIALS	Materiali costruttivi
Body, bonnet, bowl in tropicalized copper free aluminum alloy, internals in stainless steel AISI304/316	Corpo, coperchio, tazza in lega di alluminio esente rame tropicalizzata, particolari interni in AISI304/316
Bracket, lock and panel nuts, fixing screws in AISI316 stainless steel or galvanized steel	Vite di regolazione, staffa, dadi di bloccaggio e pannello, viti di fissaggio in acciaio inossidabile AISI316 od acciaio galvanizzato
Diaphragm and valve assembly in elastomer and AISI316 stainless steel	Assieme diaframma ed assieme valvola in elastomero ed acciaio inossidabile AISI316
5, 25&40micron filtering element in sinterized AISI316 ss; Coalescing filtering element in bonded micro-fibre	Elementi filtranti da 5, 25 e 40micron in AISI316 sinterizzato; elemento filtrante a coalescenza in micro-fibra
Valve spring, adjustment spring in AISI316SS or galvanized steel	Molle valvola e di regolazione in AISI316 od acciaio galvanizzato
Elastomeric seals	Guarnizioni elastomeriche

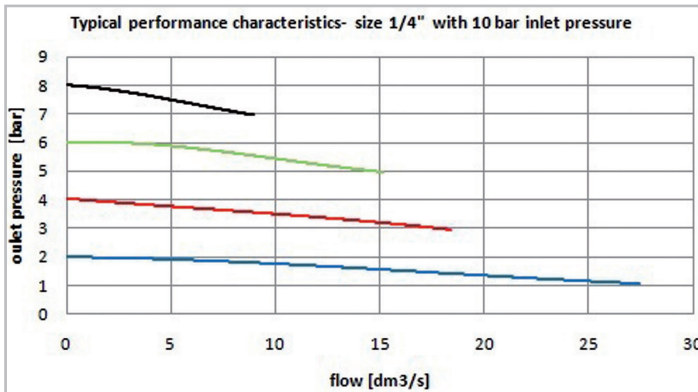
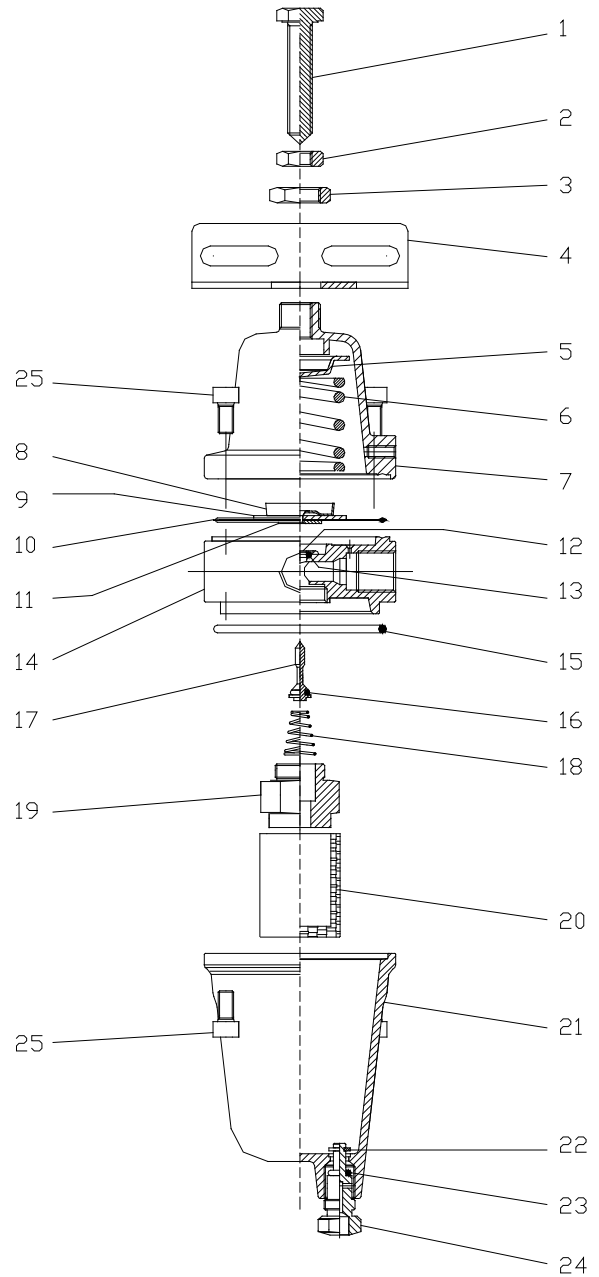
www.sitecna.eu

### Item description

Descrizione item

#### Pos. Description - Descrizione

1. Adjusting screw / Vite di regolazione
2. Lock nut / Dado bloccaggio vite
3. Panel nut / Dado staffa
4. Bracket / Staffa
5. Upper spring rest / Sede superiore molla
6. Spring / Molla di regolazione
7. Bonnet / Coperchio
8. Lower spring guide / Guida molla inferiore
9. Lower spring rest / Sede inferiore molla
10. Diaphragm / Diaframma
11. Valve seat / Sede valvola
12. Ring / Arresto
13. O'ring valve steam / O'ring guida valvola
14. Body Corpo
15. O'ring (bowl) / O'ring tazza
16. O'ring (valve) / O'ring valvola
17. Valve / Corpo valvola
18. Spring valve / Molla valvola
19. Filter element support / Supporto elemento filtrante
20. Element / Elemento filtrante
21. Bowl / Tazza
22. Ring / Anello benzin
23. O'ring (drain) / O'ring rubinetto
24. Manual drain / Rubinetto di scarico
25. Screw (M5x8) Vite di fissaggio M5x8



### Accessories and repair kit

Accessori e ricambi

Maintenance kit / Kit manutenzione [1/4"]	Items FR-04-K-XAL-**
Pressure gauge DN40mm, SS case, Bar+psi+kpa range / Manometro DN40mm, cassa inox, scala Bar+psi+kpa	0-2bar MBSNP4S2PN3S 0-4bar MBSNP4S2PN05 0-10bar MBSNP4S2PN07
Bracket and lock nut / Staffa e Dado	SQ-FR04

\*\* Refers to seals type:

FK→FKM NB→NBR LT→EPDM FL→Low temperature compound HN→HNBR

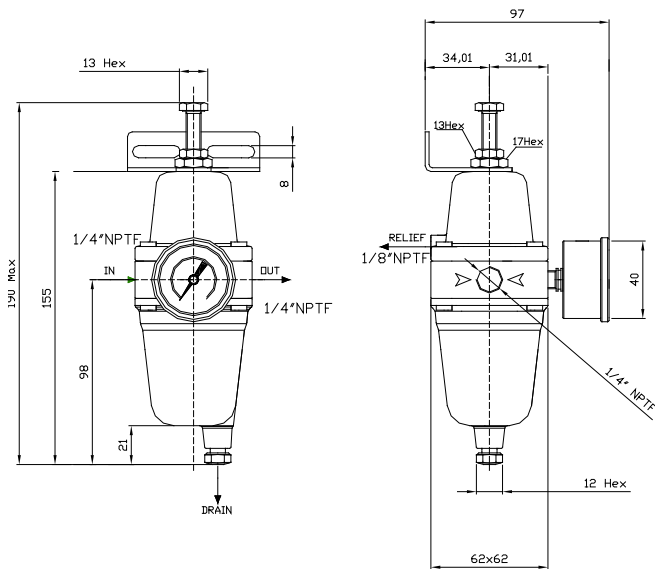
BT-FR4AL/C11B

## Overall dimension

Dimensioni di ingombro

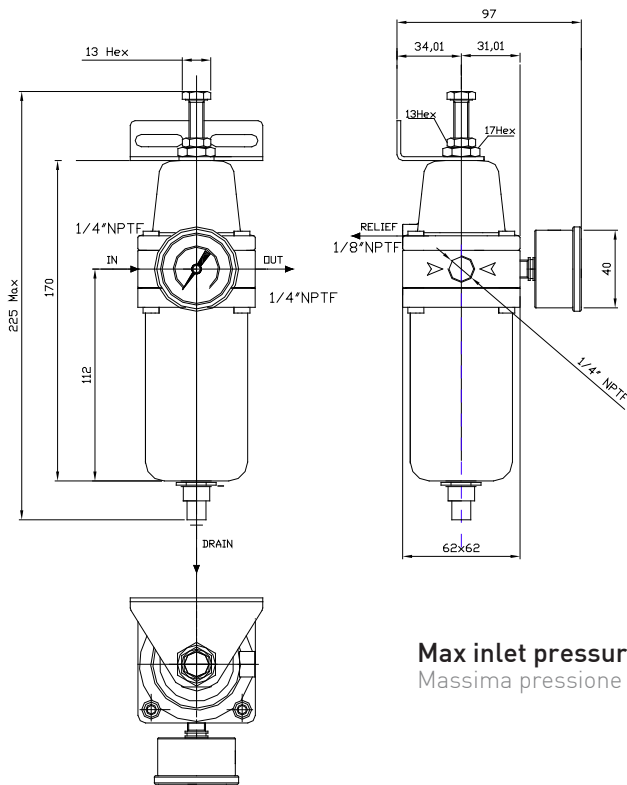
### Manual drain

Scarico manuale



### Automatic drain

Scarico automatico



**Max inlet pressure for automatic drain 16bar**

Massima pressione di ingresso con scarico automatico 16bar

# Ordering information

## Come ordinare

TYPE	SIZE	RANGE	ACCESSORIES
F= Filter FR= Filter Regulator R= Regulator FM= Mini-filter* TF= Tee Filter* BP= Back Pressure* SV= Switch Valve 2/2* S3= Switch Valve 3/2* * (only 1/4"NPT)	04= 1/4" NPT* 06= 3/8" NPT 08= 1/2" NPT 12= 3/4" NPT 16= 1" NPT 20= 1" 1/4"NPT 24= 1" 1/2"NPT 32= 2"NPT	0= None 1= 0.2-2 bar 2= 0.2-4 bar 3= 0.4-8 bar 4= 0.4-10 bar 6= 4-25 bar 7= 4-35 bar	0= None 2= SS bracket kit 3= Panel nut&handwheel 4= Customised Tag 5= SS bracket kit + nut&hanwheel 6= SS bracket kit+custom.Tag 8= CS bracket kit

FR 06 3 1 1S 5 6 SS FK 2 # #

**FILTER ELEMENT**  
 0= None  
 1= 5 micron  
 2= 25 micron  
 3= 40 micron  
 4= coalescing

**PRESSURE GAUGE**  
 0= None  
 1S= AISI304 or AISI316 case (SS316 connection)  
 1B= AISI304 case (brass connection)

**OPTION**  
 00= None  
 05= No relieving  
 06= 1/4" gauge port  
 07= Automatic drain  
 56= No relieving 1/4" gauge port  
 57= No relieving Automatic drain  
 67= 1/4" gauge port Automatic drain  
 X= Special

**DIAPHRAGM & SEALS MATERIAL**  
 FK= FKM (WT-25° +90°C)  
 NB= NBR (WT-20° +80°C)  
 LT= EPDM (WT-40° +80°C)  
 FL= Special compound (WT-55°+90°C)  
 HN= HNBR (WT from -55°) suitable for gas

**MATERIAL**  
 SS= 316-316L Stainless steel  
 AL= Copper free aluminum alloy  
 SP= Special

**CODE EXAMPLES**

FR 06 3 3 1S 0 7 SS FK 2

**3/8"NPT, SS316, 0 to 8 bar range, filter regulator, with 40 micron filtering element, relieving, SS pressure gauge, automatic drain, ss bracket kit and FKM diaphragm & seals**  
 Filtro regolatore da 3/8"NPT in AISI316, range regolato 0/8 bar, elemento filtrante da 40 micron, manometro tutto inox, relieving, scarico condensa automatico, staffa inox, diaframma e tenute in FKM

FR 06 3 1 00 0 0 SS FK 0

**3/8"NPT, SS316, 0 to 8 bar range, filter regulator, with 5 micron filtering element, relieving and FKM diaphragm & seals**  
 Filtro regolatore da 3/8"NPT in AISI316, range regolato 0/8 bar, elemento filtrante da 5 micron, relieving, diaframma e tenute in FKM

