



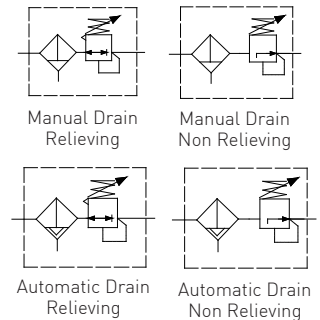


AISI316 3/4" - 1" Filter Regulator – FR serie

Filtro regolatore da 3/4" – 1" in AISI316 – serie FR

- Suitable for automation equipment to onshore, offshore, pharmaceutical, medical and food applications
- Full material traceability
- Excellent stability and repeatability
- Accurate adjustment and high flow capacity
- ATEX 94/9/CE  II2GD c IICT6 X
-  approved
 - Adatto per automazione in applicazioni marine, petrolchimiche, farmaceutiche, medicali e alimentari
 - Completa rintracciabilità dei materiali
 - Eccellente stabilità e ripetibilità
 - Precise regolazioni ed elevate portate
 - ATEX 94/9/CE  II2GD c IICT6 X
 - Approvato 



Media / Fluido	Compressed air, inert gases, sweet and sour gases
Port thread / Connessioni	3/4" - 1" NPT
Gauge Connection Connessione manometro	1/4" NPT (1/8" NPT option)
Filtering element Elemento filtrante	stainless steel 25micron standard
Max inlet pressure / Pressione massima di ingresso	30bar
Drain valve/ Scarico condensa	Manual or automatic
Flow rate (@10bar inlet P, 6bar regulated P, delta P=1bar)/ Portata	11500dm³/min Cv=11.5
Working temperature / Temperatura di esercizio	-20°C up to 80°C (NBR); -25°C up to 90°C (FKM); -40°C up to 80°C (EPDM) *
Regulated pressure Pressioni regolate	0/2, 0/4, 0/8, 0/10bar

Air supply must be dry enough to avoid ice formation at temperatures below +2°C (+35°F).

*Special version available for -55°C up to 90°C

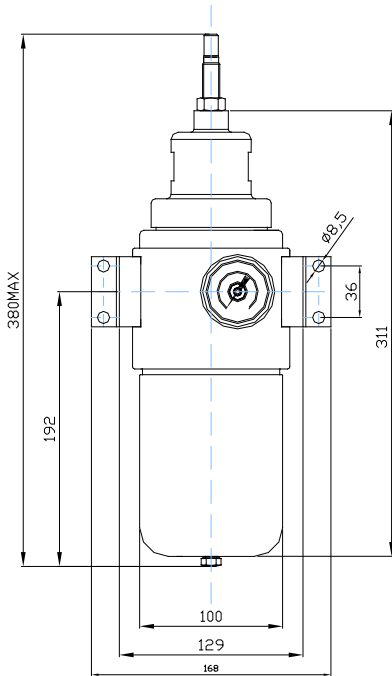
It provides excellent regulation and filtering for a wide range of applications. Rugged and corrosion-resistant – made of 316L stainless steel / Permette un'accurata regolazione e filtraggio per una vasta gamma di applicazioni. Robusto e resistente alla corrosione – costruito in acciaio inossidabile 316

BUILDING MATERIALS	Materiali costruttivi
Body, bonnet, bowl and internals in stainless steel AISI316 L top NACE MR 0175	Corpo, coperchio, tazza ed interni in acciaio inossidabile AISI316L conforme ai requisiti dello standard NACE MR0175
Adjustment screw, lock and panel nuts, fixing screws AISI316 stainless steel	Vite di regolazione, dadi di bloccaggio e pannello, viti di fissaggio in acciaio inossidabile AISI316
Diaphragm and valve assembly in elastomer and AISI316 stainless steel	Assieme diaframma ed assieme valvola in elastomero ed acciaio inossidabile AISI316
Filtering element in AISI316 stainless steel	Elemento filtrante in acciaio inossidabile AISI316
Valve spring, Adjustment spring in AISI316 stainless steel	Molle valvola e di regolazione in acciaio inossidabile AISI316
Seals in elastomer	Guarnizioni in elastomero

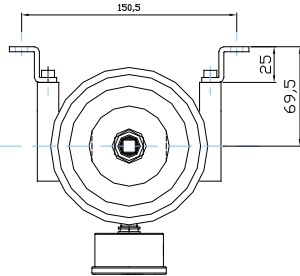
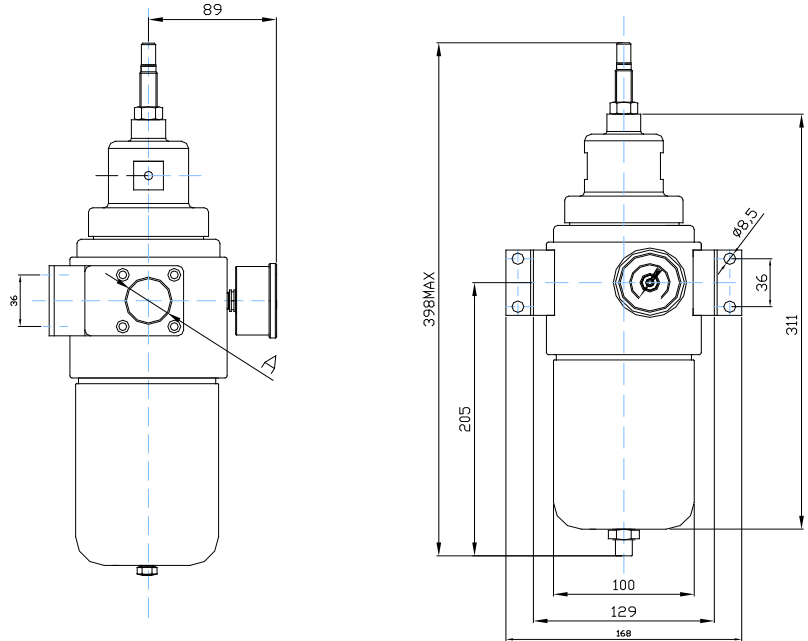
Overall dimension

Dimensioni di ingombro

Manual drain
Scarico manuale

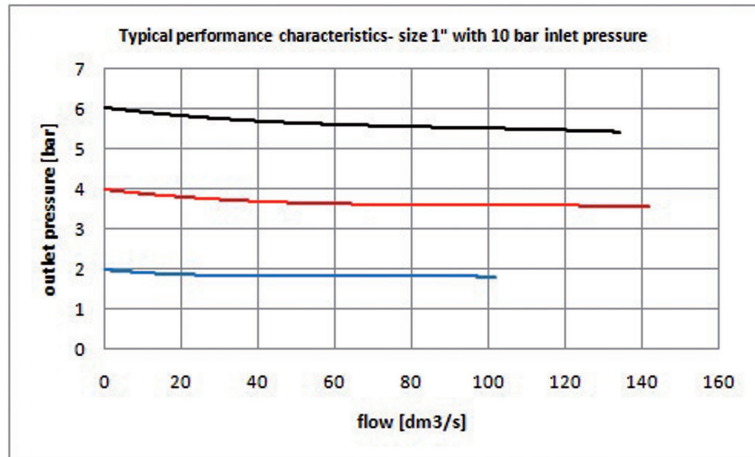


Automatic drain
Scarico automatico



Max inlet pressure for automatic drain 16bar

Massima pressione di ingresso con scarico automatico 16bar



FR12 A = 3/4"

FR16 A = 1"

Accessories and repair kit

Accessori e ricambi

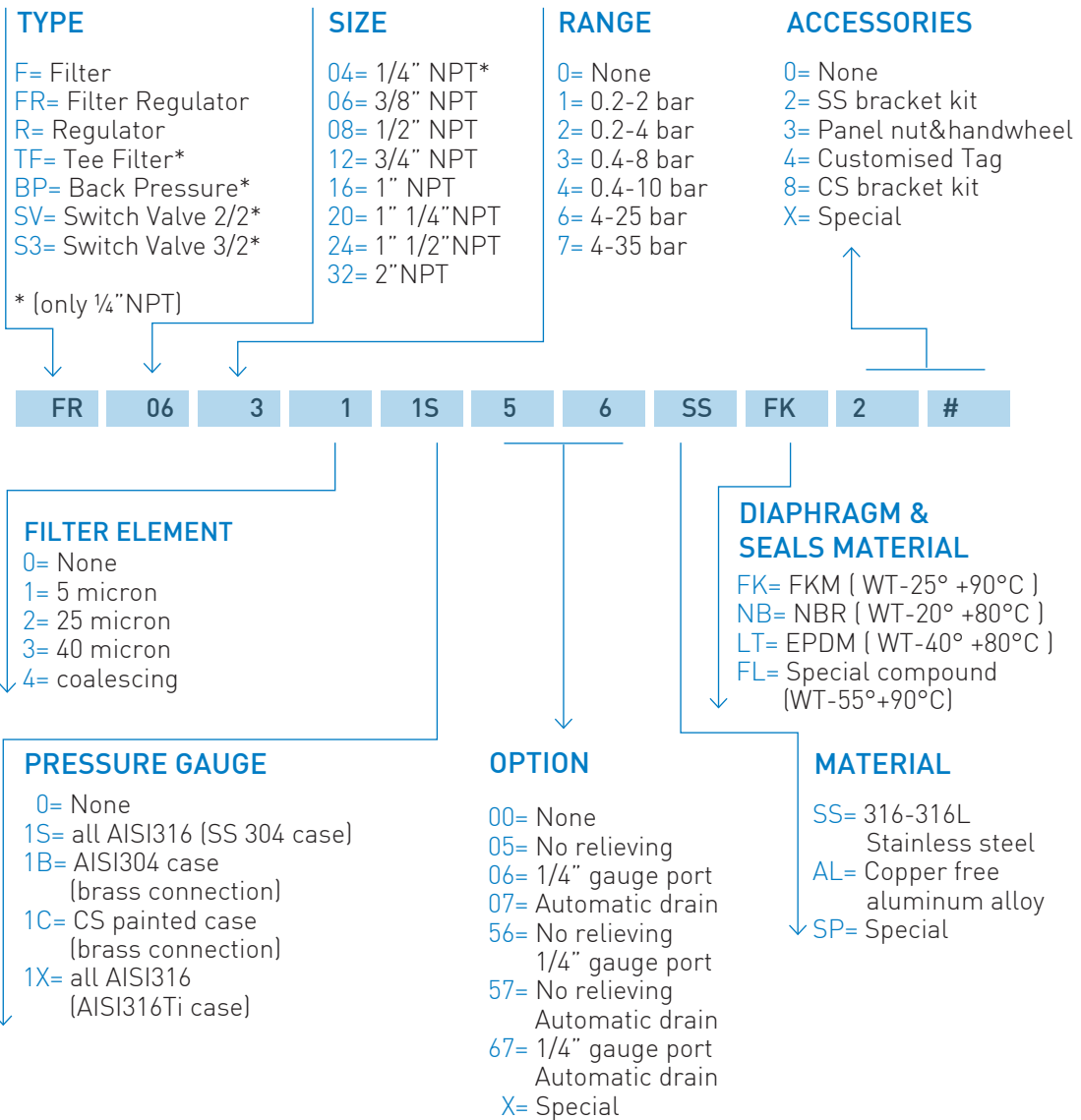
Maintenance kit / Kit manutenzione	FR-16-K-XSS-** [3/4"; 1"]
Pressure gauge DN40mm, all SS, Bar+psi+kpa range / Manometro DN40mm, tutto inox, scala Bar+psi+kpa	0-2bar MBSSP4S2PN3S 0-4bar MBSSP4S2PN05 0-10bar MBSSP4S2PN07
Bracket and lock nut / Staffa e Dado	R-16-STSS

** Refers to seals type:

FK→FKM NB→NBR LT→EPDM FL→Low temperature compound

Ordering information

Come ordinare



CODE EXAMPLES

FR 06 3 3 1S 0 7 SS FK 2

3/8" NPT, SS316, 0 to 8 bar range, filter regulator, with 40 micron filtering element, relieving, SS pressure gauge, automatic drain, ss bracket kit and FKM diaphragm & seals
 Filtro regolatore da 3/8" NPT in AISI316, range regolato 0/8 bar, elemento filtrante da 40 micron, manometro tutto inox, relieving, scarico condensa automatico, staffa inox, diaframma e tenute in FKM

FR 06 3 1 00 0 0 SS FK 0

3/8" NPT, SS316, 0 to 8 bar range, filter regulator, with 5 micron filtering element, relieving and FKM diaphragm & seals
 Filtro regolatore da 3/8" NPT in AISI316, range regolato 0/8 bar, elemento filtrante da 5 micron, relieving, diaframma e tenute in FKM