



# FIVE WAY



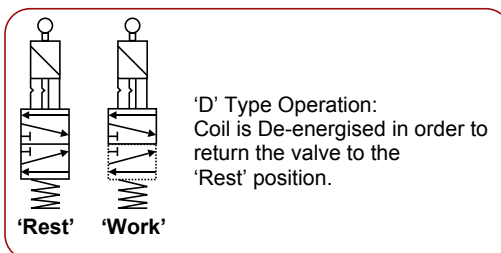
# G13.d/LT

## MANUAL RESET SOLENOID VALVE

### DESCRIPTION

#### Mechanical Characteristics:

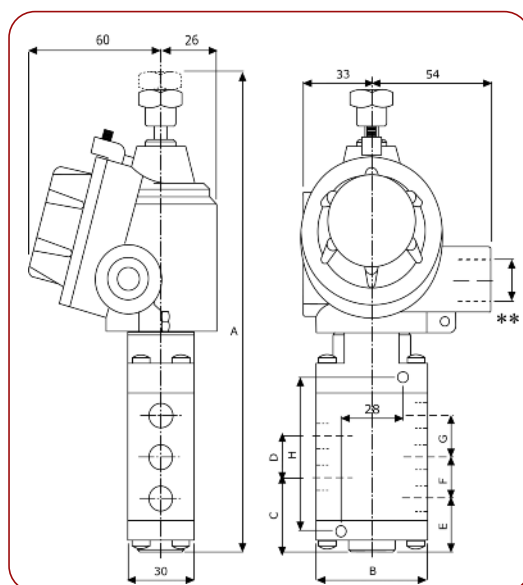
Five Way Manual Reset Solenoid Valve. 'D' Type Operation. De-energise coil to close. Suitable for gaseous media. Model for liquid media available upon request. Body materials are Brass, Nickel Plated Brass or 316 Stainless Steel. Stainless Steel internal moving parts. Solenoid can be rotated 360°. Valve will operate in any position.



### ELECTRICAL CHARACTERISTICS

Light alloy epoxy painted explosion proof solenoid housing. Electrical and mechanical parts certified to ATEX 94/9/CE directive. Suitable to control the flow of flammable and/or inert gases or liquids. Internal and external anti-twist ground connecting screws. Inside terminal board suitable for cable up to 2.5mm.

COIL SPECIFICATION:	COIL SERIES: B6E
Cable Gland Entry**:	1/2" BSP or 1/2" NPT or M20*1.5mm
Coil Housing Protection Class:	IP67
Ex Protection Class:	11 1/2 GD (EEx-d IIC)
Temperature Class:	T6, T5 & T4 (t.amb -60 to +60°C).
Coil Insulation Class:	F (155°C) - H (180°C) upon request
Winding Wire Class:	H (180°C)
Duty:	Continuous (S.I.) 100% ED
Power Consumption:	AC: 11VA (28VA Inrush). DC 11W
Voltage Tolerance:	± 10% (standard). Other voltage tolerances upon request.
Insulation:	> 1000 Mohm
Dielectric Strength:	> 2000 V/1"
Standard Voltages:	12, 24, 48, 110, 115, 125, 220, 240 VAC DC or AC (50/60 Hz)
	Other voltages available upon request



### SPECIFICATIONS & DIMENSIONS

MODEL	Orifice mm	Nominal Max.	Differential Pressures in Bar		Operation	KV Flow Factor L/min.	Weight Kg	Dimensions mm							
			Min. BAR	Max. BAR				A	B	C	D	E	F	G	H
G13	11	14	0	14	D	30	1.1	219	60	41	30	26	30	30	96
G13	11	14	0	14	D	30	1.5	219	60	41	30	26	30	30	96

### ORDER CODES

A	Body	B	Port	C	Seals (fluid temp. min / max)	D	Protection
T	Brass	E	3/8" BSP	T	3/8" NPT	7	HNBR (-45°C to +90°C)
N	316 Stainless Steel	F	1/2" BSP	G	1/2" NPT	C/LT	II 1/2 GD EEx-d IIC T6 (-60 to +60°C)