



TWO WAY NORMALLY OPEN PILOT DIAPHRAGM SOLENOID VALVE

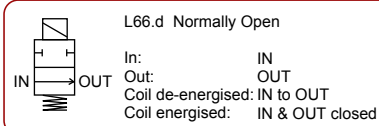
L66/AP.d



DESCRIPTION

Mechanical Characteristics:

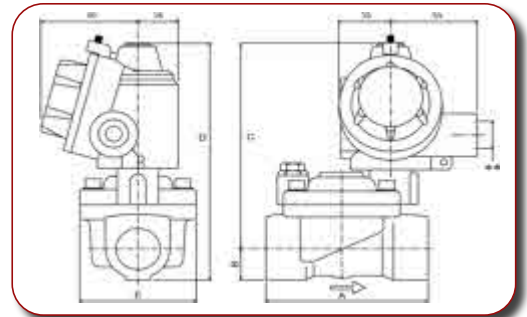
Two Way Normally Open Pilot Diaphragm Solenoid Valve. Suitable for gaseous and liquid media compatible with the body and seal materials specified. Forged Brass, Nickel Plated Brass, or 316 Stainless Steel Body (1/2" & 3/4" only). Stainless steel internal moving parts. Solenoid can be rotated 360°. Valve will operate in any position.



ELECTRICAL CHARACTERISTICS

Light alloy epoxy painted explosion proof solenoid housing. Electrical and mechanical parts certified to ATEX 94/9/CE directive. Suitable to control the flow of flammable and/or inert gases or liquids. Internal and external anti-twist ground connecting screws. Inside terminal board suitable for cable up to 2.5mm.

| COIL SPECIFICATION: | COIL SERIES: B6E |
|--------------------------------|---|
| Cable Gland Entry**: | 1/2" BSP or 1/2" NPT or M20*1.5mm |
| Coil Housing Protection Class: | IP67 |
| Ex Protection Class: | II 2 GD (EEx-d IIB, IIC), 11 1/2 GD (EEx-d IIB, IIC) |
| Temperature Class: | T6 (t.amb -20 to +40°C). T5 (t.amb -20 to +55°C) upon request |
| Coil Insulation Class: | F (155°C) - H (180°C) upon request |
| Winding Wire Class: | H (180°C) |
| Duty: | Continuous (S.I.) 100% ED |
| Power Consumption: | AC: 11VA (28VA Inrush). DC 11W |
| Voltage Tolerance: | ± 10% (standard). Other voltage tolerances upon request. |
| Insulation: | > 1000 Mohm |
| Dielectric Strength: | > 2000 V/1" |
| Standard Voltages: | 12, 24, 48, 110, 115, 125, 220, 240 VAC DC or AC (50/60 Hz) |
| | Other voltages available upon request |



SPECIFICATIONS & DIMENSIONS

| MODEL | Orifice mm | | | | | Body Rating | Min. /Max. Operating Differential Pressures. BAR. | | | KV Flow Factor L/min. | Weight Kg | Dimensions mm | | | | | |
|-------|------------|---|---|---|---|-------------|---|---------------|----|-----------------------|-----------|---------------|-----|----|-----|-----|-----|
| | A | B | C | D | E | | Min. | Normally Open | | | | A | B | C | D | E | |
| | | | | | | | | AC | DC | | | | | | | | |
| L66 | 12 | | | | | 12.7 | 25 | 0.2 | 22 | 22 | 35 | 1 | 64 | 14 | 119 | 133 | 45 |
| L66 | 18 | | | | | 18 | 25 | 0.2 | 18 | 18 | 87 | 1.3 | 82 | 17 | 128 | 145 | 55 |
| L66 | 25 | | | | | 25 | 25 | 0.2 | 10 | 10 | 170 | 1.8 | 100 | 20 | 135 | 155 | 70 |
| L66 | 36 | | | | | 36 | 20 | 0.3 | 10 | 10 | 300 | 3.3 | 144 | 28 | 142 | 170 | 98 |
| L66 | 50 | | | | | 50 | 20 | 0.3 | 10 | 10 | 600 | 4.9 | 152 | 35 | 153 | 188 | 120 |

ORDER CODES

| A | Body | B | Port | C | Seals (fluid temp. min / max) | D | Protection | E | Options |
|---|----------------------|---|------------|---|-------------------------------|---|-------------------------|---|---------------------------------------|
| T | Brass | E | 3/8" BSP | T | 3/8" NPT | 0 | NBR (-10°C to + 70°C) | B | II 1/2 GD EEx-d IIB T6 (-20 to +40°C) |
| N | Nickel Plated Brass | F | 1/2" BSP | G | 1/2" NPT | 1 | VITON (-10°C to + 90°C) | C | II 1/2 GD EEx-d IIC T6 (-20 to +40°C) |
| I | Stainless Steel*** | H | 3/4" BSP | I | 3/4" NPT | 6 | EPDM (-10°C to + 90°C) | | |
| | *** 1/2" & 3/4" only | L | 1" BSP | M | 1" NPT | 7 | HNBR (-45°C to + 90°C) | | |
| | | N | 1 1/4" BSP | O | 1 1/2" BSP | | | | |
| | | V | 1 1/2" NPT | P | 2" BSP | | | | |
| | | W | 2" NPT | | | | | | |