



**TWO WAY
NORMALLY CLOSED
AIR OPERATED VALVE**

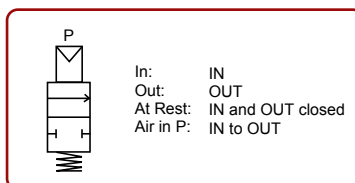


M22

DESCRIPTION

Mechanical Characteristics:

Two Way Normally Closed Air Operated Valve with spring return. Suitable for gaseous and liquid media compatible with the body and seal materials. Suitable for 0 Bar applications. Forged Brass, Nickel Plated Brass or Stainless Steel body.
Stainless Steel internal moving parts.
Stainless Steel springs.
Valve will operate in any position.

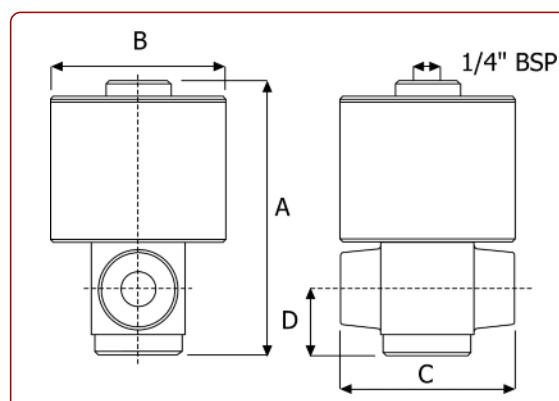


PNEUMATIC ACTUATOR INFORMATION

Simple effect actuator with spring return.

SPECIFICATION:

Cylinder:	Brass, or Nickel Plated Brass
Actuator Piston Seals:	NBR
Minimum Operating Pressure:	1/10 of exercise pressure with a minimum pressure of 1 Bar
Maximum Operating Pressure:	Exercise Pressure



SPECIFICATIONS & DIMENSIONS

Model	A	B	C	D	E	Orifice MM	Nominal Max.	Pressure in Bar			Flow Factor KV (L/Min.)	Weight Kg.	Dimensions mm			
								Differential					A	B	C	D
								Min.	Max.	Max. With PE Seals						
M22	50	1/4"				5.0	80	0	30	80	6.5	1.2	92	60	60	23
M22	70	3/8"				7.0	80	0	30	80	12.5	1.6	92	60	70	23
M22	13	1/2"				11.0	80	0	30	80	40	2.2	119	75	90	38
M22	13	1/2"				11.0	80	0	30	80	40	2.2	119	75	90	38

ORDER CODES

A	Body	B	Port	C	Seals (fluid temp. min / max)		
T	Brass	C	1/4" BSP	D	1/4" NPT	0	NBR (-10°C to + 70°C)
N	Nickel Plated Brass	E	3/8" BSP	T	3/8" NPT	1	VITON (-10°C to + 90°C)
I	316 Stainless Steel*	F	1/2" BSP	G	1/2" NPT	8	PE (-10°C to + 90°C)

* 1/4" & 3/8" BSP bodies only