



## TWO WAY NORMALLY OPEN

### AIR OPERATED VALVE



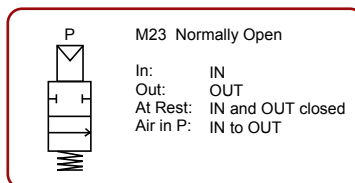
# M23



#### DESCRIPTION

##### Mechanical Characteristics:

Two Way Normally Open Air Operated Valve with spring return. Suitable for gaseous and liquid media compatible with the body and seal materials. Suitable for 0 Bar applications. Forged Brass, Nickel Plated Brass or Stainless Steel body. Stainless Steel internal moving parts. Stainless Steel springs. Valve will operate in any position.

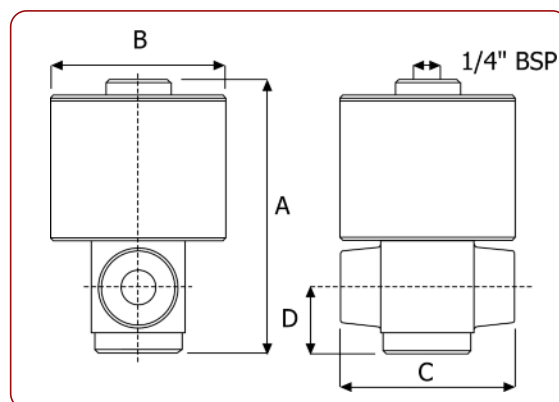


#### PNEUMATIC ACTUATOR INFORMATION

Simple effect actuator with spring return.

##### SPECIFICATION:

Cylinder:	Brass, or Nickel Plated Brass
Actuator Piston Seals:	NBR
Minimum Operating Pressure:	1/10 of exercise pressure with a minimum pressure of 1 Bar
Maximum Operating Pressure:	Exercise Pressure



#### SPECIFICATIONS & DIMENSIONS

Model	A	B	C	D	E	Orifice MM	Nominal Max.	Pressure in Bar			Flow Factor KV (L/Min.)	Weight Kg.	Dimensions mm			
								Differential					A	B	C	D
								Min.	Max.	Max. With PE Seals						
M23	50	1/4"				5.0	80	0	30	80	6.5	1.2	92	60	60	23
M23	70	3/8"				7.0	80	0	30	80	12.5	1.6	92	60	70	23
M23	13	1/2"				11.0	80	0	30	80	40	2.2	119	75	90	38
M23	13	1/2"				11.0	80	0	30	80	40	2.2	119	75	90	38

#### ORDER CODES

A	Body	B	Port	C	Seals (fluid temp. min / max)		
T	Brass	C	1/4" BSP	D	1/4" NPT	0	NBR (-10°C to + 70°C)
N	Nickel Plated Brass	E	3/8" BSP	T	3/8" NPT	1	VITON (-10°C to + 90°C)
I	316 Stainless Steel*	F	1/2" BSP	G	1/2" NPT	8	PE (-10°C to + 90°C)

\* 1/4" & 3/8" BSP bodies only