



**TWO WAY
NORMALLY CLOSED
PILOT DIAPHRAGM
PNEUMATIC VALVE**

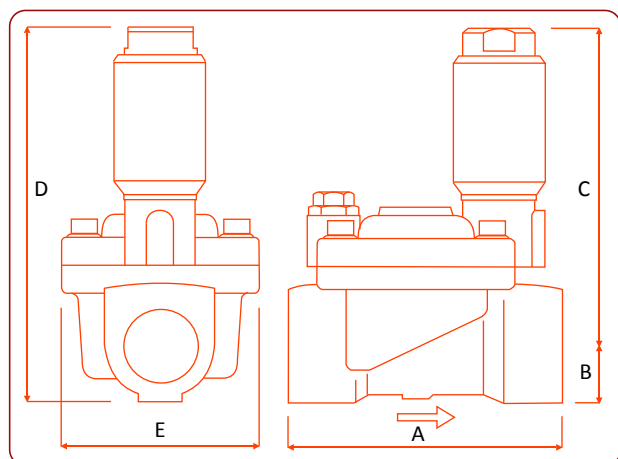
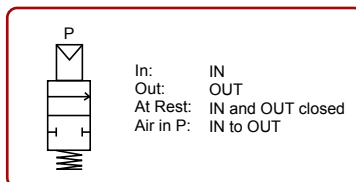
M65



DESCRIPTION

Mechanical Characteristics:

Two Way Normally Closed Pneumatic Pilot Diaphragm Valve.
Suitable for gaseous and liquid media compatible with the body and seal materials specified. Forged Brass, Nickel Plated Brass, or 316 Stainless Steel body (1/2" & 3/4"). Adjustable valve closing regulator to reduce water hammer for sizes 1" to 2". Stainless steel internal moving parts. Minimum Operating Pressure: 1/10 of exercise pressure with a minimum pressure of 1 Bar.



SPECIFICATIONS & DIMENSIONS

MODEL	Dimensions mm				Orifice mm	Body Rating	Min./Max. Operating Differential Pressures. BAR.		KV Flow Factor L/min.	Weight Kg	Dimensions mm					
	A	B	C	D			Min.	Max.			A	B	C	D	E	
M65	12				3/8"	12.7	25	0.2	16	35	0.55	64	14	87	101	45
M65	12				1/2"	12.7	25	0.2	16	40	0.55	64	14	87	101	45
M65	18				3/4"	18	25	0.2	14	87	0.85	82	17	96	113	55
M65	25				1"	25	25	0.2	12	170	1.35	100	20	103	123	70
M65	36				1 1/4"	36	20	0.3	10	300	2.85	134	28	110	138	98
M65	36				1 1/2"	36	20	0.3	10	340	2.65	134	28	110	138	98
M65	50				2"	50	20	0.3	10	600	4.45	152	35	121	156	120

ORDER CODES

A	Body	B	Port	C	Seals (fluid temp. min / max)	D	Optional Features
T	Brass	E	3/8" BSP	T	3/8" NPT	0	NBR (-10°C to + 70°C)
		F	1/2" BSP	G	1/2" NPT	1	VITON (-10°C to + 90°C)
		H	3/4" BSP	I	3/4" NPT		* Type: C02T18C0P
		L	1" BSP	M	1" NPT		
		N	1 1/4" BSP	O	1 1/2" BSP		
		V	1 1/2" NPT	P	2" BSP		
		W	2" NPT				

