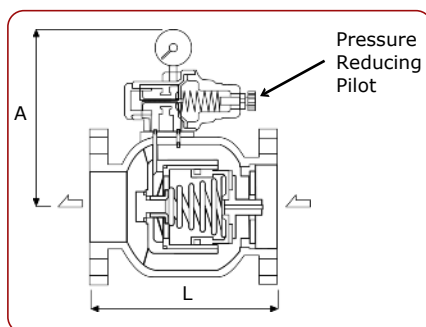




DESCRIPTION

Mechanical Characteristics:

Pressure Reducing Valve. Pilot reducing valve is adjusted by means of adjustment screw on pilot assembly. Internal diaphragm controls main valve body piston. Pressure gauge indicates reduced pressure setting. Constant outlet pressure is achieved irrespective of changing inlet pressure. Model P02 can be installed in water supply lines, air conditioning systems and fire control systems.



Pressure Adjusting Range:

- 1 - 7 Bar
- 4 - 12 Bar

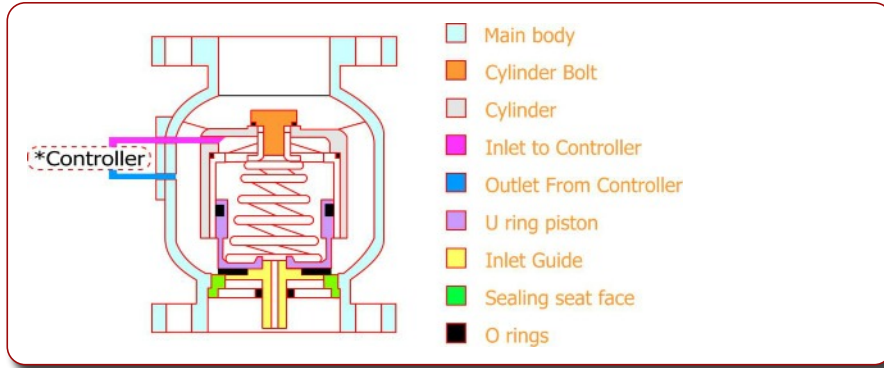
SPECIFICATIONS & DIMENSIONS

Model: Ported Body					Orifice mm	Min. Bar	Maximum Differential Pressures. Bar.				KV L/Min.	Weight Kg	Dimensions mm	
A	B	C		Bronze			Cast Iron	Ductile Iron	Stainless Steel	L			A	
P02	50			1 1/2"	50	0.3	16	16	20	22	686	3.5	120	75
P02	65			2"	65	0.3	16	16	20	22	1072	8	200	95
Model: Flanged Body PN16. (PN10, PN25 & ANSI available upon request)														
P02	50			2"	50	0.3	16	16	20	22	1072	10	190	95
P02	65			2 1/2"	65	0.3	16	16	20	22	1501	13	210	100
P02	80			3"	80	0.3	16	16	20	22	2002	16	225	115
P02	100			4"	100	0.3	16	16	20	22	3718	22	250	127
P02	125			5"	125	0.3	16	16	20	22	5577	30	280	150
P02	150			6"	150	0.3	16	16	20	22	7865	42	310	165
P02	200			8"	200	0.3	16	16	20	22	14300	85	420	205
P02	250			10"	250	0.3	16	16	20	22	22880	150	470	240
P02	300			12"	300	0.3	16	16	20	22	31460	200	530	275

ORDER CODES

A	Body	B	Ported Body	Flanged Body PN16. ANSI 150 upon request.				C	Seals (fluid temp min / max)
T	Bronze	O	1 1/2" BSP	FL2A	2" PN16	FL6A	6" PN16	0	NBR (-10°C to + 80°C)
C	Cast Iron	P	2" BSP	FL212A	2 1/2" PN16	FL8A	8" PN16		
D	Ductile Iron			FL3A	3" PN16	FL10A	10" PN16		
I	Stainless Steel			FL4A	4" PN16	FL12A	12" PN16		
				FL5A	5" PN16				

MAIN BODY MATERIALS OF CONSTRUCTION



Part Name	Materials			
	Cast Iron	Ductile Iron	Bronze	Stainless Steel
Main Body	Cast Iron	Ductile Iron	Bronze	Stainless Steel
Cylinder Bolt	Brass	Brass	Brass	Stainless Steel
O Ring	NBR	NBR	NBR	NBR/VITON
Cylinder	Bronze	Bronze	Bronze	Stainless Steel
Spring	Stainless Steel	Stainless Steel	Stainless Steel	Stainless Steel
U Ring	NBR	NBR	NBR	NBR/VITON
Piston	Bronze	Bronze	Bronze	Stainless Steel
Sealing	NBR	NBR	NBR	NBR/VITON
Seat	Bronze	Bronze	Bronze	Stainless Steel
Shaft	Bronze	Bronze	Bronze	Stainless Steel
Controller	Brass	Brass	Brass	Stainless Steel