



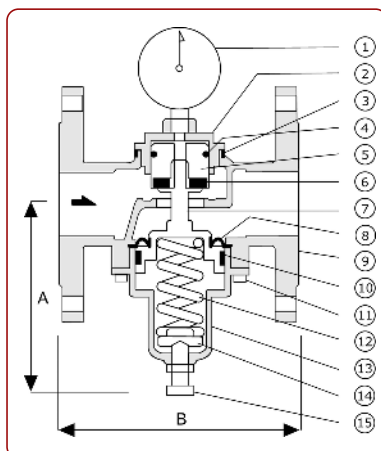
DESCRIPTION

Mechanical Characteristics:

Direct Acting Pressure Reducing Valve. 316 Stainless Steel body, suitable for air, water, and steam up to 185 °C. Adjustment is via stem (15) which alters the gate, effecting the outlet pressure. The pressure gauge accurately indicates the outlet pressure. Available with female BSP ported or PN16 flanged body. Other flanges available upon request.

Pressure Adjusting Range:

- 1 - 6 Bar
- 4 - 10 Bar
- 8 - 13 Bar



(Flanged model shown)

SPECIFICATIONS & DIMENSIONS

Model: Screwed Port						Orifice mm	Nominal Pressure	KV Flow Factor L/Min.	Weight Kg	Dimensions mm	
A	B	C			A					B	
P08	I	15	F/G		1/2"	15	25	34	0.8	80	70
P08	I	20	H/I		3/4"	20	25	129	0.9	105	85
P08	I	25	L/M		1"	25	25	157	1	105	92
P08	I	32	O/V		1 1/2"	32	25	200	2.2	130	115
P08	I	50	P/W		2"	50	25	357	3.1	130	120
Model: PN16 Flanged (PN10, PN25 & ANSI 150 upon request).											
P08	I	15	FL		1/2"	15	25	34	2	80	150
P08	I	20	FL		3/4"	20	25	129	2.8	105	150
P08	I	25	FL		1"	25	25	157	3.5	105	150
P08	I	32	FL		1 1/4"	40	25	200	5.9	130	190
P08	I	40	FL		1 1/2"	40	25	200	5.9	130	190
P08	I	50	FL		2"	50	25	357	6.5	130	190
P08	I	65	FL		2 1/2"	65	25	1072	11.5	185	210
P08	I	80	FL		3"	80	25	1144	12	185	225
P08	I	100	FL		4"	100	25	1716	19	230	250
P08	I	150	FL		6"	150	25	3575	45	270	310

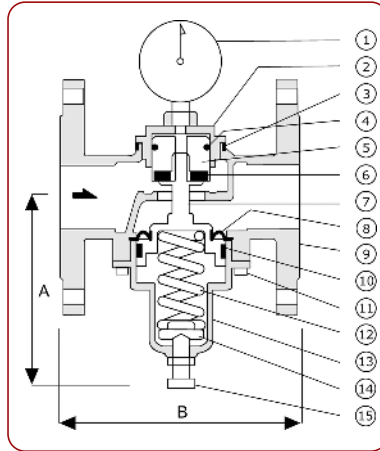
No.	Description	Material
1	Gauge	Stainless Steel
2	Upper Cover	316 Stainless Steel
3	O ring	NBR/VITON
4	U Ring	NBR/VITON
5	Piston	316 Stainless Steel
6	Sealing Spacer	NBR/VITON/TEFLON
7	Shaft	316 Stainless Steel
8	Diaphragm	NBR/VITON
9	Main Body	316 Stainless Steel
10	UH ring	NBR/VITON
11	Fixed Bolt	304 Stainless Steel
12	Spring	Spring Steel
13	Lower Cover	316 Stainless Steel
14	Washer	Brass
15	Adjusting Stem	316 Stainless Steel

ORDER CODES

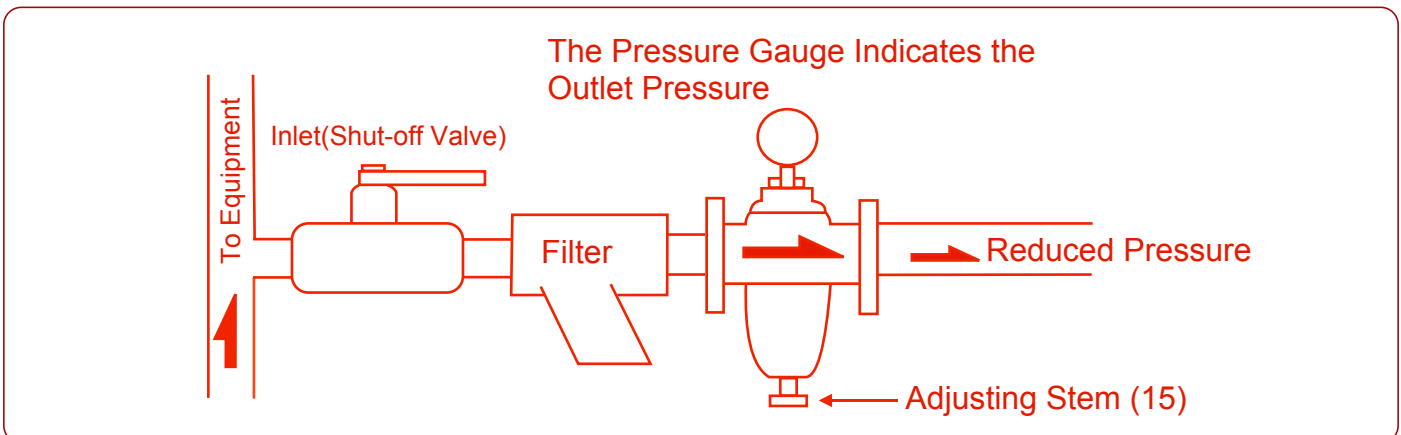
A	Body Material	B	Ported Body	PN16. (PN10/PN25 ANSI 150/300 upon request)				C	Seals	D	Options		
I	316 Stainless Steel	F	1/2" BSP	G	1/2" NPT	12A	1/2" PN16	25A	2 1/2" PN16	1	VITON (-10°C to + 90°C)	SG	Oxygen Service
		H	3/4" BSP	I	3/4" NPT	34A	3/4" PN16	3A	3" PN16	10	TEFLON (-15°C to + 185°C)		
		L	1" BSP	M	1" NPT	1A	1" PN16	4A	4" PN16				
		O	1 1/2" BSP	V	1 1/2" NPT	15A	1 1/2" PN16	6A	6" PN16				
		P	2" BSP	W	2" NPT	2A	2" PN16						


DESCRIPTION

No.	Description	Material
1	Gauge	Stainless Steel
2	Upper Cover	316 Stainless Steel
3	O ring	NBR/VITON
4	U Ring	NBR/VITON
5	Piston	316 Stainless Steel
6	Sealing Spacer	NBR/VITON/TEFLON
7	Shaft	316 Stainless Steel
8	Diaphragm	NBR/VITON
9	Main Body	316 Stainless Steel
10	UH ring	NBR/VITON
11	Fixed Bolt	304 Stainless Steel
12	Spring	Spring Steel
13	Lower Cover	316 Stainless Steel
14	Washer	Brass
15	Adjusting Stem	316 Stainless Steel



(Flanged model shown)

FLOW DIAGRAM

INSTALLATION PROCEDURE
Before Installation:

1. Clean & remove all the impurities inside the pipes. We recommend the installation of an inline filter.
2. Make sure the flow direction is correct.
3. The setting pressure increases by turning the adjusting stem (13) clockwise.
4. The pressure gauge indicates the inlet pressure.

Adjusting The Setting Pressure:

1. Turn the adjusting stem to the lowest pressure.
2. Adjusting the pressure to the required setting by turning stem (15) clockwise.
Tighten the nut to fix the adjusting stem.



FLOW ORIENTATION

