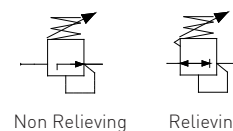


AISI316L 1/4" NPT Pressure Regulator – R serie

Regolatore di pressione da 1/4" NPT in AISI316L – serie R

- Suitable for automation equipment to onshore, offshore, pharmaceutical, medical and food applications
- Full material traceability
- Excellent stability and repeatability
- Accurate adjustment and high flow capacity
- ATEX 2014/34/UE - II2GD c IICT6 X Ex / IP66
- & approved / SIL 3 - IEC 61508
- Adatto per automazione in applicazioni marine, petrolchimiche, farmaceutiche, medicali e alimentari
- Completa rintracciabilità dei materiali
- Eccellente stabilità e ripetibilità
- Precise regolazioni ed elevate portate
- ATEX 2014/34/UE - II2GD c IICT6 X Ex / IP66
- Approvato ed / SIL 3 - IEC 61508



Media / Fluido	Compressed air, inert gases, sweet and sour gases
Port thread / Connessioni	1/4" NPT
Gauge Connection Connessione manometro	1/8" NPT (1/4" NPT option)
Max inlet pressure / Pressione massima di ingresso	30bar
Relieving/ Scarico sovrappressioni	Standard
Flow Rate (@10 bar inlet, 6bar regulated, delta P=1bar)/ Portata	940dm ³ /min Cv=0.9
Working temperature / Temperatura di esercizio	-20°C up to 80°C (NBR); -25°C up to 90°C (FKM); -40°C up to 80°C (EPDM) *
Regulated pressure Pressioni regolate	0/2, 0/4, 0/8, 0/10bar

Air supply must be dry enough to avoid ice formation at temperatures below +2°C (+35°F).

*Special version available for -55°C up to 90°C

It provides excellent regulation for a wide range of applications. Rugged and corrosion resistant - made of 316/316L stainless steel.

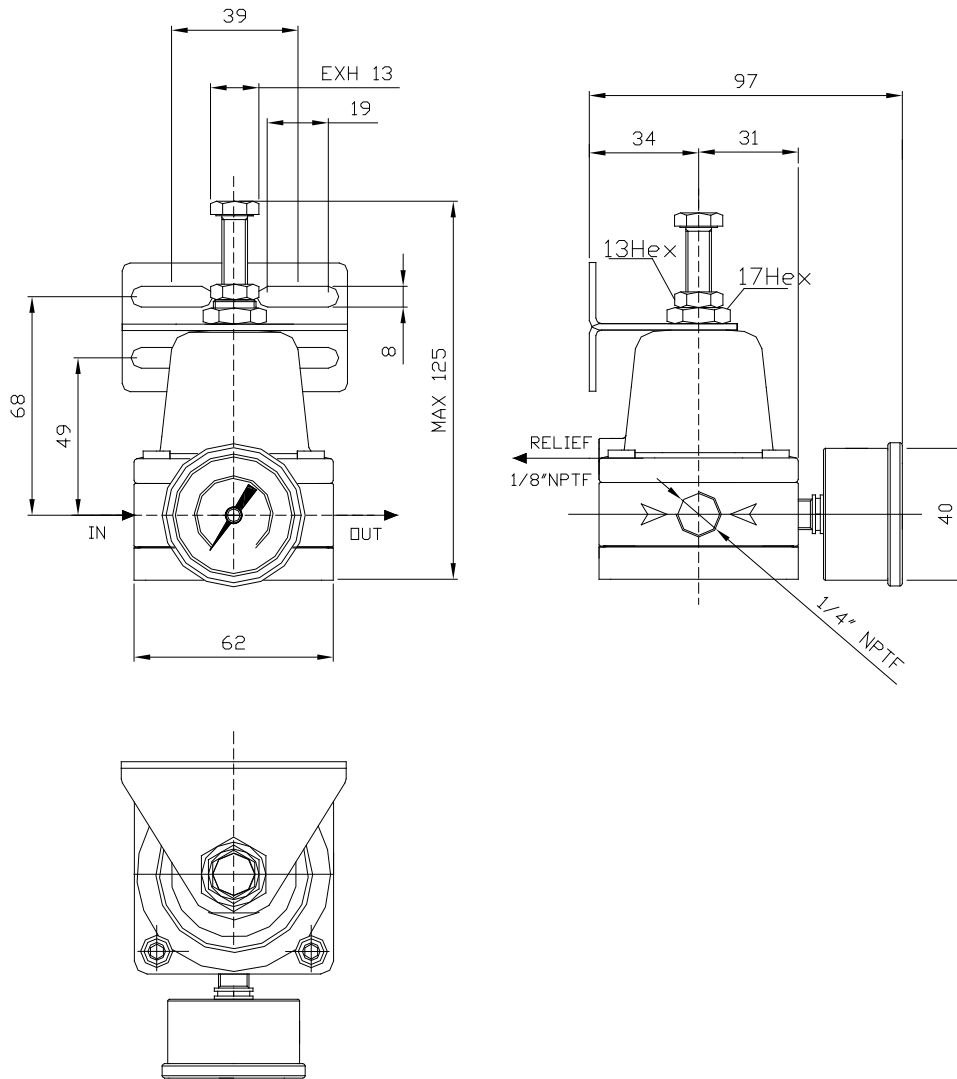
Permette una regolazione accurata per una vasta gamma di applicazioni. Robusto e resistente alla corrosione - costruito in AISI316/316L.

BUILDING MATERIALS	Materiali costruttivi
Body, bonnet, end plate and internals in 316/316L stainless steel to NACE MR0175	Corpo, coperchio, piastra inferiore e particolari interni in AISI316/316L conforme allo standard NACE MR0175
Bracket, lock and panel nuts, fixing screws in AISI316 stainless steel	Staffa, vite di regolazione, dadi di bloccaggio e pannello, viti di fissaggio in acciaio inossidabile AISI316
Diaphragm and valve assembly in elastomer and AISI316 stainless steel	Assieme diaframma ed assieme valvola in elastomero ed acciaio inossidabile AISI316
Valve spring, adjustment spring in AISI316 stainless steel	Molla valvola e di regolazione in acciaio inossidabile AISI316
Elastomeric seals	Guarnizioni elastomeriche

BT-R4SS/C16A

Overall dimension

Dimensioni di ingombro



R04 A = 1/4"

Accessories and repair kit

Accessori e ricambi

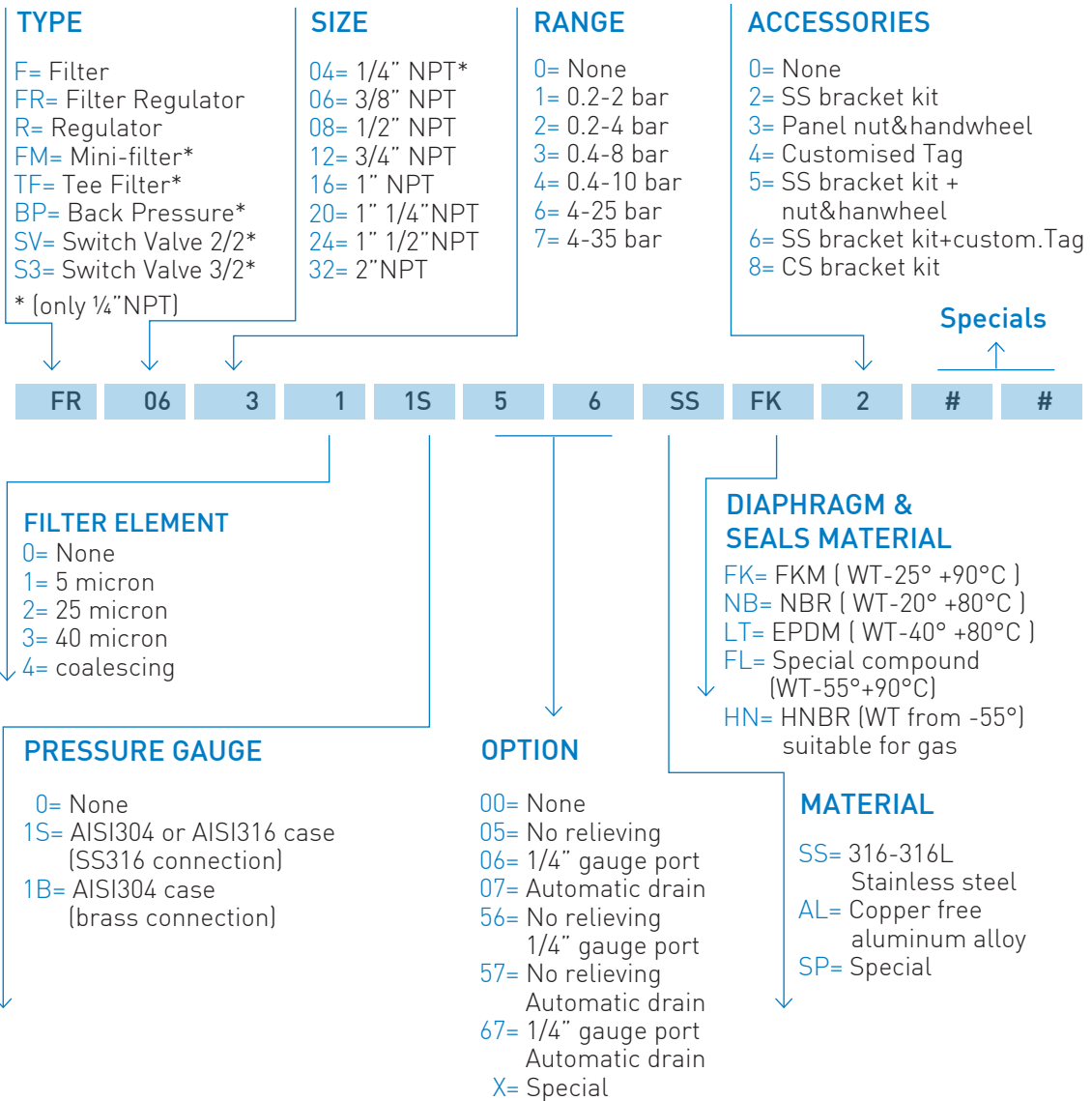
Maintenance kit / Kit manutenzione	R-04-K-XSS-** [1/4"]
Pressure gauge DN40mm, all inox, Bar+psi+kpa range / Manometro DN40mm, tutto inox, scala Bar+psi+kpa	0-2,5 bar MBS6P4S2PN04 0-4bar MBS6P4S2PN05 0-10bar MBS6P4S2PN07
Bracket and lock nut / Staffa e Dado	SQ-FR04

** Refers to seals type:

FK→FKM NB→NBR LT→EPDM FL→Low temperature compound HN→HNBR

Ordering information

Come ordinare



CODE EXAMPLES

FR 06 3 3 1S 0 7 SS FK 2

3/8"NPT, SS316, 0 to 8 bar range, filter regulator, with 40 micron filtering element, relieving, SS pressure gauge, automatic drain, ss bracket kit and FKM diaphragm & seals
 Filtro regolatore da 3/8"NPT in AISI316, range regolato 0/8 bar, elemento filtrante da 40 micron, manometro tutto inox, relieving, scarico condensa automatico, staffa inox, diaframma e tenute in FKM

FR 06 3 1 00 0 0 SS FK 0

3/8"NPT, SS316, 0 to 8 bar range, filter regulator, with 5 micron filtering element, relieving and FKM diaphragm & seals
 Filtro regolatore da 3/8"NPT in AISI316, range regolato 0/8 bar, elemento filtrante da 5 micron, relieving, diaframma e tenute in FKM

