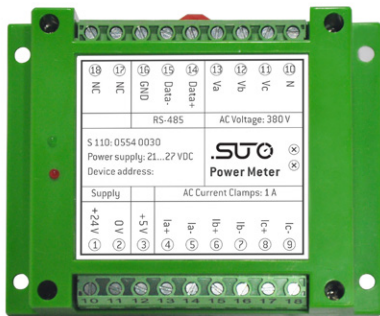
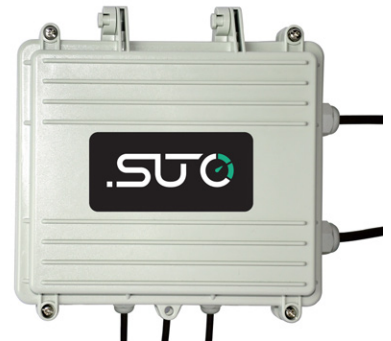


S 110 POWER METER



S 110 hat rail mountable



S 110-W in wall mountable casing

The SUTO Power Meters are designed for easy installation and high accuracy. It measures the actual power consumption in kW and accumulates the Energy consumption in kWh of a 3-phase load. Additionally other measured parameters such as current, voltage, cos phi etc. are available as well. Through 3 clamp sensors the current is sensed. Hat rail, wall mountable and portable versions are available.

Technical Data S 110

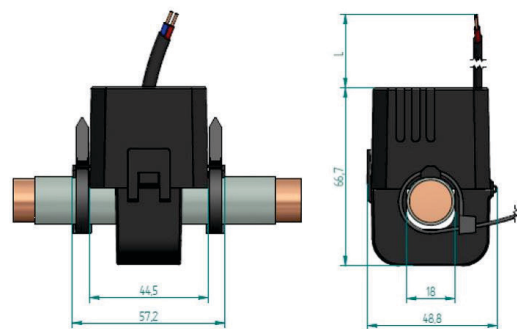
Nominal voltage (L-N, L-L)	277 / 480 V AC	
Clamp sensor input range	0 ... 1 A	
Available clamp sensors	200 A, 500 A, 1000 A	
Power range	Up to 690 kW (depending on clamp sensor)	
Accuracy	Voltage:	0.2%
	Current:	0.5%
	Clamp:	class 1
	Energy:	class 0.5
Output	Modbus/RTU	
Supply	24 V DC / 0.5 W	
Operating Temperature	-5 °C ... +55 °C	
Dimensions	Hat rail version:	110x90x31 mm
	Wall version:	190x155x85 mm
	Portable:	177x177x60 mm



S 110-P, for connection to S 551

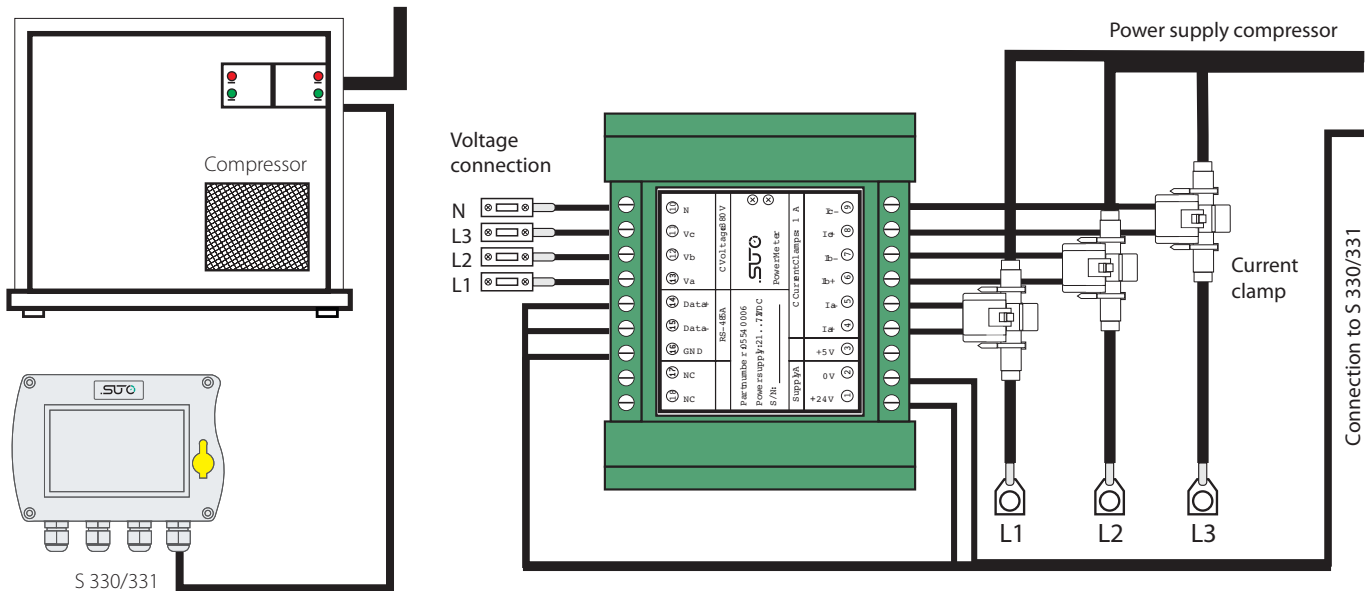


S 330/331 can be used as stationary display of up to 16 power meters



Current clamp sensor (right), easy snap on to isolated conductors

Installation



In above illustration a power meter is installed directly into the connection box of the compressor. The current clamps can be easily fixed with fasteners around the supply wires. The voltage connection can be drawn from other available connection points. A separate cable connects the SUTO power meter to the S 330/331 with Modbus/RTU and 24 VDC power supply. The power meter could also be installed into the connection cabinet where the power supply for the compressor is coming from. If no hat rail mounting is available, there is a wall mountable version of the SUTO power meter.

Order no.	Description
Stationary	
D554 0030	S 110 power meter, hat rail, Modbus / RTU
D554 0033	S 110-W power meter, Modbus / RTU, 24 VDC supply, wall mountable
S554 0040	Current clamp sensor, 1.8m cable, 200 / 1A
S554 0041	Current clamp sensor, 1.8m cable, 500 / 1A
S554 0042	Current clamp sensor, 1.8m cable, 1000 / 1A
Portable	
P554 0034	Portable power meter S 110-P, Modbus / RTU, including 4 test leads, 4 test clips, connection cable to S 551
S554 0061	Current clamp sensor, 2 m cable, 200 / 1A, connector to S 110-P
S554 0062	Current clamp sensor, 2 m cable, 500 / 1 A, connector to S 110-P
S554 0063	Current clamp sensor, 2 m cable, 1000 / 1 A, connector to S 110-P
Options	
A554 0035	Transport case S 551 for sensors and cables
A553 0121	Sensor cable, 6 pole, AWG22, 7.5mm outer diameter, w/shielding, black (per meter)